



Using QuickLink over BGAN

Version 2
6 June 2008

inmarsat.com/bgan

Whilst the information has been prepared by Inmarsat in good faith, and all reasonable efforts have been made to ensure its accuracy, Inmarsat makes no warranty or representation as to the accuracy, completeness or fitness for purpose or use of the information. Inmarsat shall not be liable for any loss or damage of any kind, including indirect or consequential loss, arising from use of the information and all warranties and conditions, whether express or implied by statute, common law or otherwise, are hereby excluded to the extent permitted by English law. INMARSAT is a trademark of the International Mobile Satellite Organisation, Inmarsat LOGO is a trademark of Inmarsat (IP) Company Limited. Both trademarks are licensed to Inmarsat Global Limited. © Inmarsat Global Limited 2007. All rights reserved.

Contents

1	Overview	1
2	Key Features	1
3	Benefits to BGAN users	2
4	Setting up	2
5	Recommendations/Optimizations	4
6	Technical Summary	5
7	Further details and support	5

1 Overview

QuickLink Digital Broadcast Solutions offer a network efficient and cost effective way to capture, transmit, repurpose and deliver high quality media for both Live and Store and Forward broadcasts.

The unique design of the QuickLink system when combined with BGAN enables you to choose the functionality and features that meet your precise media encoding and transmission needs

1.1 Product range

The QuickLink Broadcaster Manager and News Warehouse solutions are made up of the following:

- **Lap Top News Gathering (LNG) Store and Forward module** – Video can be captured directly from a camera or imported as an edited file and compressed using QuickLink advanced video compression, which is ideal for transmission over the BGAN network.
- **Lap Top News Gathering (LNG) ‘Live’ Module** – Video is captured and compressed using QuickLink proprietary codecs, giving advanced video compression ideal for transmission over the BGAN network. The studio then receives the stream which is decoded in the QuickLink server and ready for output for Live ON AIR broadcast.
- **Content Integration Module** – QuickLink automatic integration modules are based on a standard universal MXF “wrapper” which is compatible with most commonly used editing and production suites, and other high profile media products
- **Content Repurposing Module** – QuickLink’s advanced management software enables automatic ingestion and repurposing of content from many other sources and into all industry standard formats for example MP2, MP4, Windows Media, Real Player, 3G and so on.

1.2 Typical Users

- First responders.
- Broadcasters.
- Government Agencies.
- NGO’s.
- Military.
- News Agencies.
- Multimedia corporations.

2 Key Features

The QuickLink Broadcaster Manager and News Warehouse solutions offer the following main features over the BGAN network:

- Fast and cost effective Live broadcast and Store and Forward transmission.
- Ease of set up and operation.
- Network Resilience.
- Outstanding video quality.
- Flexibility to choose from a variety of BGAN IP services and compression settings.

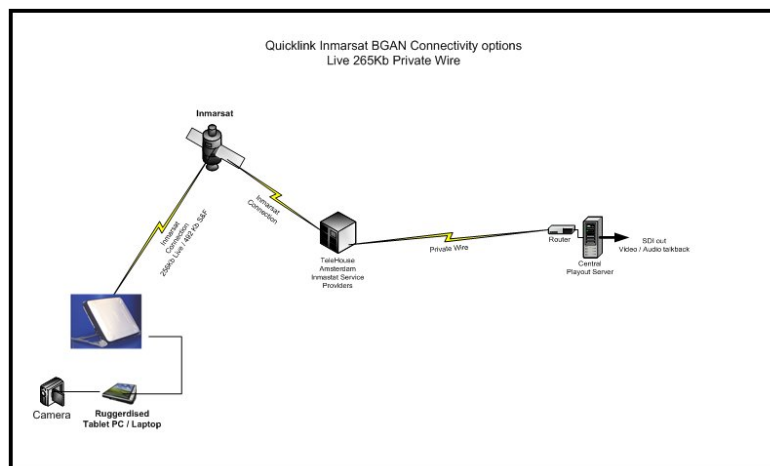
3 Benefits to BGAN users

The QuickLink Broadcaster Manager and News Warehouse solutions offer you the following main benefits:

- QuickLink's superior compression techniques offer you fast, cost effective transmission of video content from bureaus and on location over BGAN, whilst maintaining outstanding broadcast quality for both Live and Store and Forward transmission.

4 Setting up

This section describes how to set up BGAN for use with QuickLink Broadcast Management solutions, and gives an example of a QuickLink configuration.



4.1 Equipment Needed

To set up this configuration, you must have the following equipment:

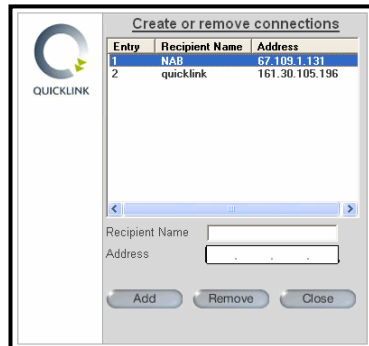
- DV Camera, or Analogue camera with DV converter.
- QuickLink Encoder (Windows PC or Apple Mac).
- BGAN terminal.
- QuickLink Decoder/'Play Out' Server (Studio Room).

4.2 Setting up the Client

To set up the client for this configuration, do the following:

- a. Install BGAN Launch Pad on the encoding computer.
- b. Connect the Camera to the computer, and ensure that it is configured properly.
- c. Start up QuickLink on the encoder.

- d. Before sending any video or Live broadcast, you must specify a server address. Go to **Settings > Connections** on the main toolbar. The following window is displayed:



Add the name for the recipient server (your QuickLink decoder), and its IP address.

- e. Select the Creation and Transmission Application, and then select one of the following options:
- **Capture Video** – Store and Forward option. It allows you to capture a video direct from the camera, compress it and then sending it to the server immediately or later.
 - **Import Video File** – Imports an edited video file from the hard disk and send it to server.
 - **Send/View File** – Sends a previously recorded/compressed video. You can view it before sending it.
 - **Live Broadcast** – Starts a Live broadcast to the server.

4.3 Setting up the Server

To receive live broadcasts or video feeds on the server, simply start up the server side applications QuickLink Live Start and QuickLink Broadcast Client Store and Forward.

4.4 Making a Store and Forward broadcast

To store and forward a video to the server, you must first either capture a video or import one. To import a video, simply select the **Import Video File** option.

To capture a video:

- Make sure your camera is connected to the computer.
- Select the **Capture Video** option to display the capture window.
- Once recording is complete, click on Stop, and exit the window via **File** on the main toolbar.
- QuickLink prompts you to select the encoding rate for compression. Inmarsat recommends **2 MB 2 Pass** for general broadcast quality, but you can select whichever is more appropriate for your purpose.

- e. Once encoding finishes, you are prompted to enter information about the clip, for example the title, type, reported name etc. Enter this information in the screen shown below:

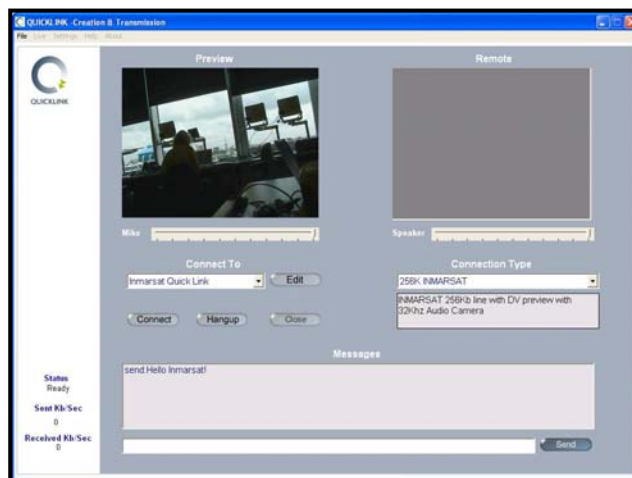


- f. Select **Continue**. You are prompted to select the recipient (decoder) for the video, if you want to send it immediately. Alternatively, you can save it, then send it later using the “Send/View Video” option.

4.5 Making a Live broadcast

To make a Live broadcast:

- g. Make sure your camera is connected to the computer.
- h. Select the **Live Broadcast** option. The following screen is displayed:



- i. Select the appropriate **Connection Type** and recipient.
- j. Click on **Connect** to start your live broadcast. You can also send messages to server using the text box at the bottom of the window.
- k. Once the broadcast is complete, click on **Hangup** to disconnect and exit to return to the main screen.

5 Recommendations/Optimizations

Switch off error correction before you establish streaming IP data connection.

6 Technical Summary

The QuickLink Broadcast Management Solutions technical feature sets are summarized below:

Feature	Capture Client - Live	Capture Client – Store and Forward
Integral BGAN Support	Yes. Auto Streaming Channel dynamic allocation	Standard and Streaming class compatible
QuickLink VP7 optimised Codec	Yes, Multiple encoding rate user selectable	Yes. Multiple encoding rate user selectable
Automatic end-station transcoding		All Standard formats MP2, MFX etc
QuickLink optimised transfer	UDP	Yes
FTP/Store and Forward		Yes
Hardware solution	Ruggedised Tablet format	Ruggedised Tablet Format
Software solution	Downloadable via web and software key	Downloadable via web and software key
Operating systems/platform supported	Windows	Windows
NTSC & PAL Support	Auto switching	Auto Switching
Decoder output	SDI/analogue	SDI/analogue
Return video / audio feed using BGAN forward channel	Yes	N/A
BGAN Standard IP and Streaming IP support	Yes	Yes
BGAN ISDN support	Yes	Yes
BGAN IP Addressing requirement	Supports All	Supports All
Simultaneous Live and Store and Forward support, using BGAN TFT (secondary PDP context)	Yes	Yes

7 Further details and support

Inmarsat Contact:

Customer_care@inmarsat.com